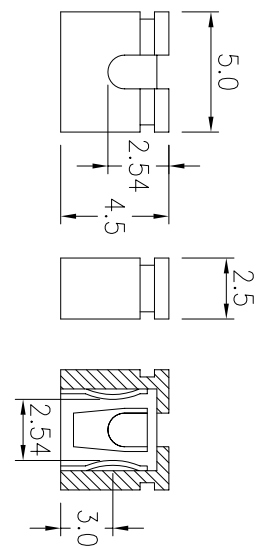
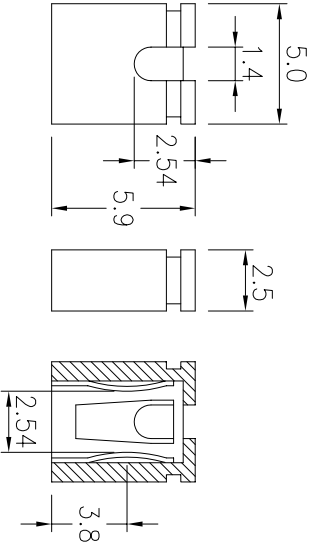


H311-06A

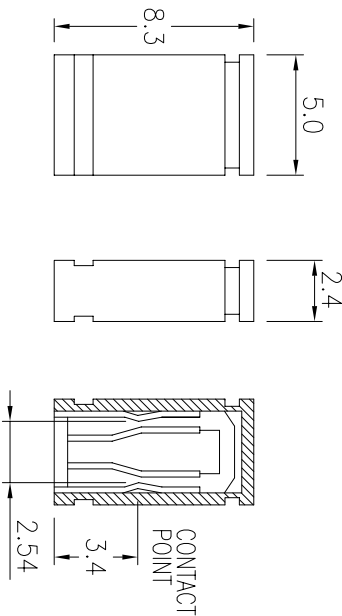


H311-04B

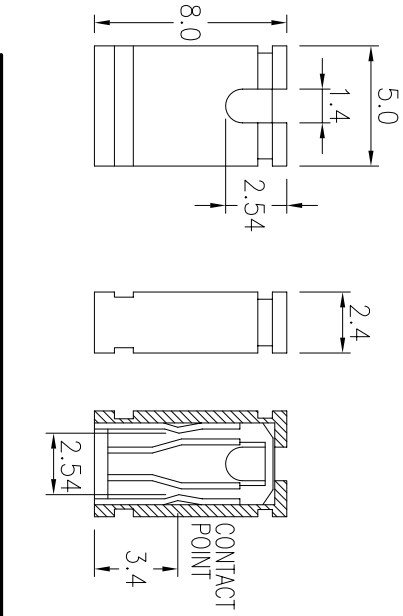
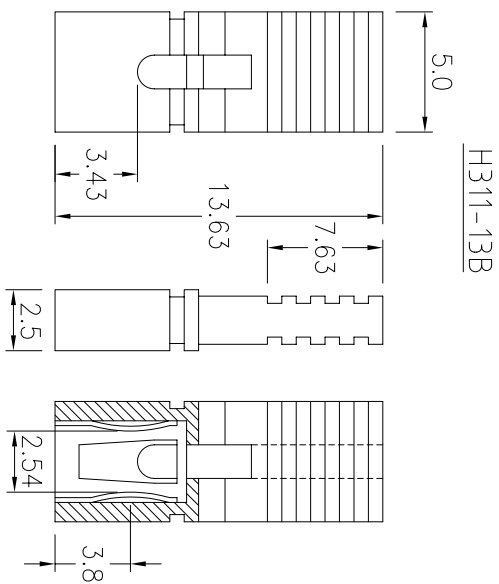
H311-06B



H311-08A



H311-08B

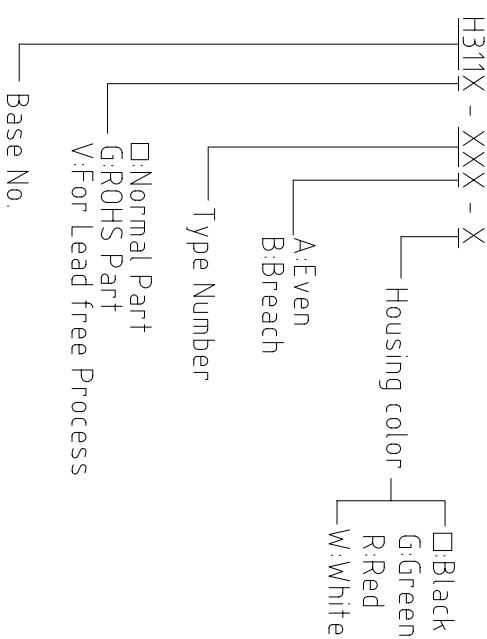


FEATURES:
 All side stackable
 Simply connecting two contact points together or opposite
 Mates with .025" (0.64mm) square pins

MATERIAL&FINISH
 Insulator: Glass filled Thermoplastic UL 94V-0
 Contact material: Phosphor bronze
 Finish: Tin plated or Gold plated

SPECIFICATION
 Current Rating: 3Amps
 Insulator resistance: 1000MΩ min
 Contact resistance: 20mΩ max
 Dielectric withstanding voltage: 500V AC
 Operating Temperature: -45° to 105° C

HOW TO ORDER



LONG CHU ELECTRONICS CO. LTD
LCU 龍竹企業股份有限公司

DESCRIPTION: 2.54mm Mini Jumper

		MATERIAL	UNIT	DESCRIPTION	GENERAL TOLERANCE	SIZE	P/N	SHEET NO.
		SEE LIST	mm	2.54mm Mini Jumper	0. ±±.50	A4	H311 SERIES	
		DR. KELLY	RE.		0. ±±.30	SCALE	REV. A	
		CHK.	APP.		0.00 ±±.20	---		
REV. A	NEW RELEASE	01/19/06*	DATE					
	REV. RECORD							